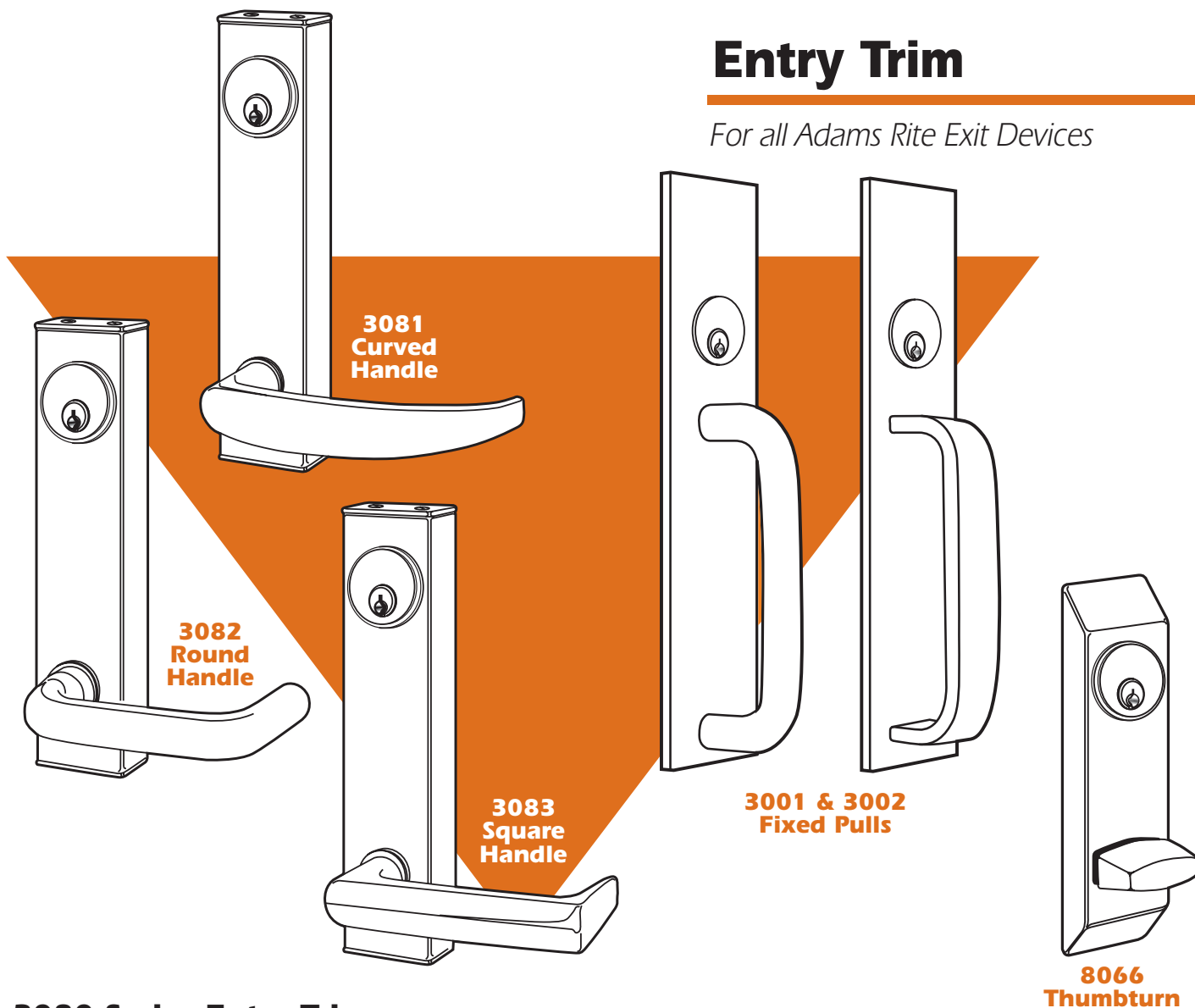


Entry Trim

For all Adams Rite Exit Devices



3080 Series Entry Trim

The 3080 Series provides outside activation of narrow stile aluminum, wood or hollow metal doors that have any type of Adams Rite Exit Device. Breakaway clutching mechanism protects the locked handle from vandalism or forced entry, in either direction. This also makes the trim rehandable in the field. All models share the same core components, so handles can be changed without having to replace the entire trim. Solid construction meets Grade 1 standards. An electrified version is also available for integrating with card readers, keypads and other access control devices. (See page AC-21.)

3001 & 3002 Fixed Pulls

US32D Satin Stainless Steel pulls have 2-3/4 x 1-1/2 escutcheon. Order with or without cylinder hole. For hollow metal and wood doors only.

8066 Thumbturn

Thumbturn and any standard mortise cylinder with MS cam allow entry control in two modes: latched, but openable by thumbturn, or latched with entry by key only with 8067 Nightlatch Kit.



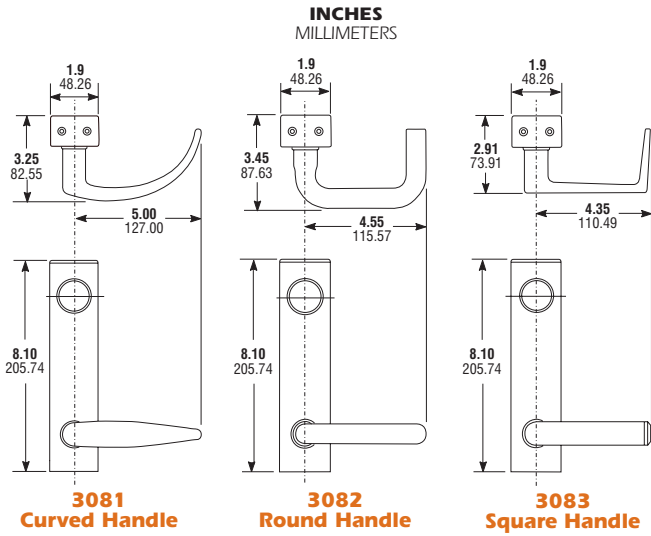
ADAMS RITE
MANUFACTURING CO.

260 Santa Fe Street
Pomona, California 91767
(800) 872-3267 Fax: (800) 232-7329
www.adamsrite.com



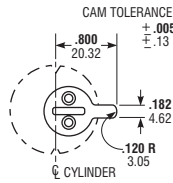
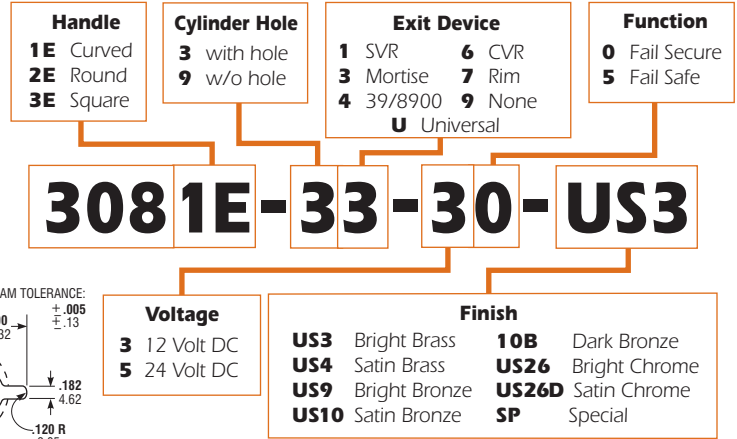
Entry Trim

DIMENSIONS

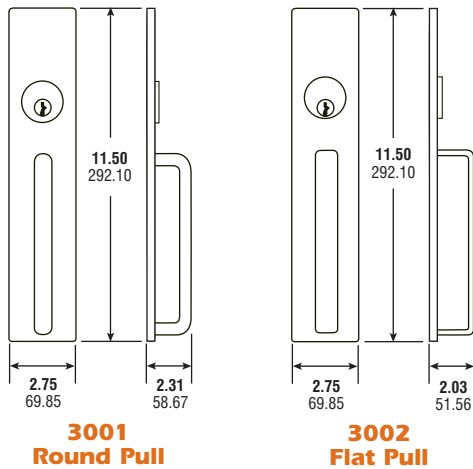


HOW TO ORDER

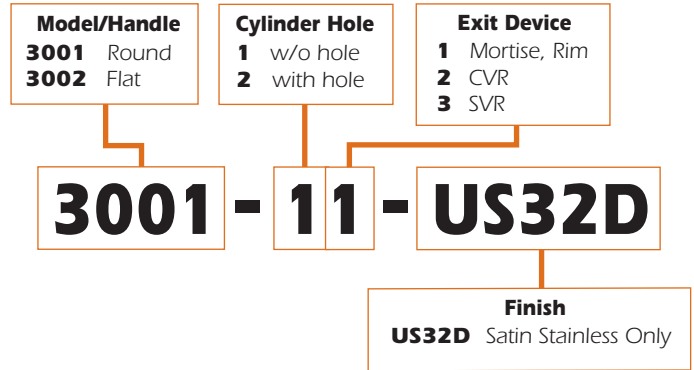
Specify quantity and the following information.
 Order Electrified version separately. See page AC-21.
 Order related hardware separately.



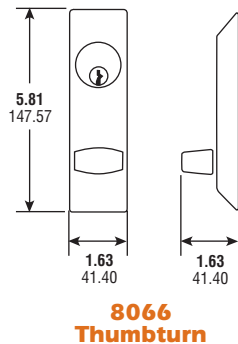
3080 Series Entry Trim accept any standard 1-5/32" diameter mortise cylinder with special MS[®] cam dimensioned as shown. Cylinders with MS[®] cams can be readily obtained from most cylinder manufacturers. See page SW-32 for cylinder make and trim ring information.



Specify quantity and the following information.
 Order related hardware separately.



Not for use with:
 8200, 8400, 8475, 8600, 8675, 8800



Specify quantity and the following information.
 Order related hardware separately.

