



Surface Applied
Door Closers

DORMA 7300

Technical Details and Specifications 3
 How to Order 4

Technical Drawings

Regular x round form arm 5
 Regular x friction hold open 5
 Regular x integra stop arm 6
 Regular x spring integra stop arm 6
 Top jamb x round form arm 7
 Top jamb x friction hold open 7
 Top jamb x integra stop arm 8
 Top jamb x spring integra stop arm 8
 Parallel arm x round form arm 9
 Parallel arm x friction hold open 9
 Heavy-duty super parallel arm 10
 Heavy-duty parallel arm door saver x dead stop 10
 Heavy-duty parallel arm x spring door saver 11

Accessories

Round form arm (8 mm) 11
 Round form arm (10 mm) 11
 Regular arm shoe and rod 11
 Narrow profile arm (8 mm) 12
 Narrow profile arm (10 mm) 12
 Friction hold open arm 12
 Integra stop arm 12
 Spring integra stop arm 13
 Super parallel arm 13
 Door saver arm 13
 Spring door saver arm 13
 BP73 backplate 14
 BP86 backplate 14
 BP600C conversion plate 14
 DP73 drop plate 14
 DP86 drop plate 14
 AB73 angle bracket 14
 AB86 angle bracket 14
 P86 Parallel arm bracket 14
 Parallel hold open bracket 15
 Parallel flush transom bracket 15
 Narrow frame bracket 15
 Flush transom bracket 15
 Mortised jamb bracket 15
 Parallel drop bracket 15
 Blade stop spacer 15
 Heavy-duty blade stop spacer 15
 Slim plastic cover 16
 Sex nuts 16

7300 Series



ISO 9001:2000



The quality management system at the Reamstown, PA facility is certified to ISO-9001.*

*DORMA Door Controls Inc., dba: DORMA Architectural Hardware

The 7300 Series closers offer modern styling for a new era of safe and reliable door control.

The 7300 Series offers a compact design and is available in an assortment of sprayed finishes to complement any opening's decor. These features, along with numerous installation options and fixed spring sizes, make this closer an ideal solution in a variety of applications.

Additionally, this flexible Grade 1 door closer is backed by DORMA's unprecedented 25-year warranty.

Technical Details:

- 7300 Series, fixed spring sizes 2–5.
- Non-handed for regular, top jamb, and parallel arm applications.
- Quick and easy to install.
- Compact design.
- Two noncritical adjusting valves (sweep and latch) work to provide consistent closing speeds under a wide variety of temperatures.
- Adjustable backcheck provides cushioning when the door is abusively opened.
- The 7300 Series is certified to the requirements of ANSI A156.4 Grade 1.
- Available with optional self-drilling screws for steel door and frame applications (DPK86)
- Available with optional self-tapping screws for aluminum door and frame applications (TPK86).

Certification:

The DORMA 7300 is listed by U.L. and C.U.L. under their reinspection programs. Meets the requirements for UL10C and UBC 7.2 (1997) for positive pressure. California State Fire Marshall (CSFM) approved.

Specification:

All closers shall be DORMA 7300 Series hydraulic surface applied rack and pinion closers. The closer has two independent valves to separately control sweep and latch closing speeds and provide constant speeds when temperatures change. Standard with backcheck to provide cushioning effect in opening.

Features	7302-7305
Fixed spring sizes	2, 3, 4, 5
Non-handed	•
Parallel arm bracket	◦
Controlled closing with two adjustable valves	180°–10° 10°–0°
Backcheck	•
Hold open	◦
Self-drilling screws	◦
Self-tapping screws	◦
Tamper-resistant TORX screws	◦
Slim plastic cover	◦

• yes - no ◦ optional

Optional Specification:

All 7300 closers to have slim plastic cover (COV).

Closers to have arm with a selective single point hold open between 80°–170° for regular mount (FH) and 70°–175° for parallel arm mount (specify FHP).

All 7300 closers to have parallel arm bracket for non-hold open parallel arm applications (P86).

All closers to have sex nuts with machine screws for 1-3/4" door (SNB1) or 1-3/8" door (SNB2). Closers to have self-drilling screws for steel doors and frames (DPK86). Closers to have self-tapping screws for aluminum doors and frames (TPK86). Closers to have TORX security for all exposed fasteners (TX86).

Finishes:

Standard Sprayed Finishes:

Aluminum: 689.

Bronze: 691 (Dull), 690 (Statuary), or 695 (Dark Duranodic).

Gold: 696.

Black: 693.

Optional Special Color Sprayed Finishes: Specify code number or submit 3 color chip samples.

Warranty: 25 Years.

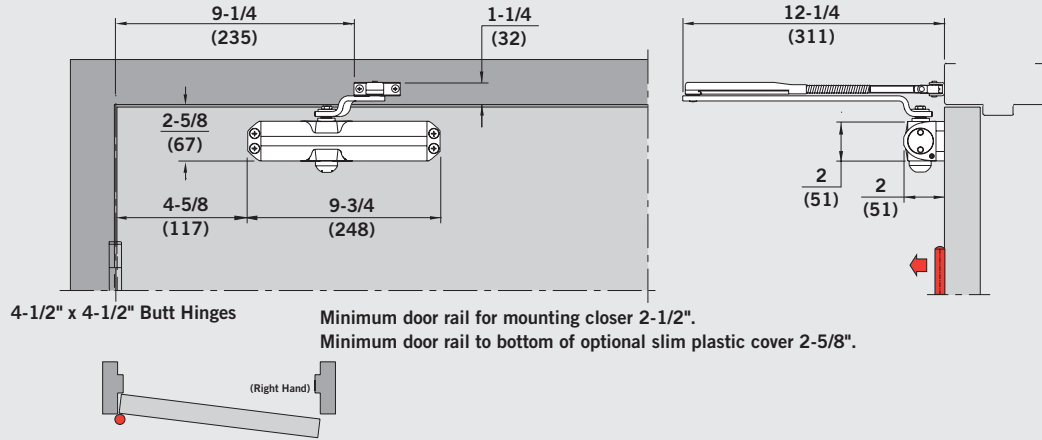
How to Order 7300 Series		Example
Size	Fixed Size 2, 3, 4, or 5	7302
Application	No designation - Regular mount P - Regular, top jamb, and parallel mount J - Top jamb mount	7303 AR 7303 ARP 7303 ARJ
Body Option	No designation - Standard (no cover) COV - Slim plastic cover	7304 7304 COV
Arm	AR - Round form non-hold open (regular mount) ARJ - Round form non-hold open (top jamb mount) ARP - Round form non-hold open (parallel arm mount) FH - Friction hold open (regular mount) FHJ - Friction hold open (top jamb 4" to 8" reveal) FHP - Friction hold open (parallel arm) IS - Integra stop arm (regular mount) S-IS - Spring assist integra stop arm (regular mount) S-ISH - Spring assist integra stop arm hold open ISJ - Integra stop arm (top jamb 4" to 8" reveal) S-ISJ - Spring assist integra stop arm (top jamb 3-1/2" to 6-1/2" reveal) S-ISJH - Spring assist integra stop arm hold open (top jamb 3-1/2" to 6-1/2" reveal) SPA - Super parallel arm SPAT - Super parallel arm, thumb turn hold open SPAK - Super parallel arm, hex key turn hold open DS - Door saver parallel arm S-DS - Spring assist door saver parallel arm DST - Door saver parallel arm, thumb turn hold open S-DST - Spring assist door saver parallel arm, thumb turn hold open DSK - Door saver parallel arm, hex key turn hold open	7305 AR 7305 ARJ 7305 ARP 7305 FH 7305 FHJ 7305 FHP 7305 IS 7305 S-IS 7305 S-ISH 7305 ISJ 7305 S-ISJ 7305 S-ISJH 7305 SPA 7305 SPAT 7305 SPAK 7305 DS 7305 S-DS 7305 DST 7305 S-DST 7305 DSK
Accessories	- Specify the number of the accessory.	7305 x DP73
Fastener Packs	SNB1 - Sex nuts (see information on page 16) DPK86 - Self-drilling screw pack for steel doors and frames TPK86 - Self-tapping screw pack for aluminum doors and frames TX86 - Tamper-resistant TORX screws	7305 SNB1 7305 DPK86 7305 TPK86 7305 TX86
Finish	See DORMA finish information in this brochure. Example: 689 = Aluminum	7302 689

Technical Drawing (Symbols and Notes)

- - Recommended application
- N/A - Not applicable/application not recommended

Regular x Round Form Arm

7302-7305 AR

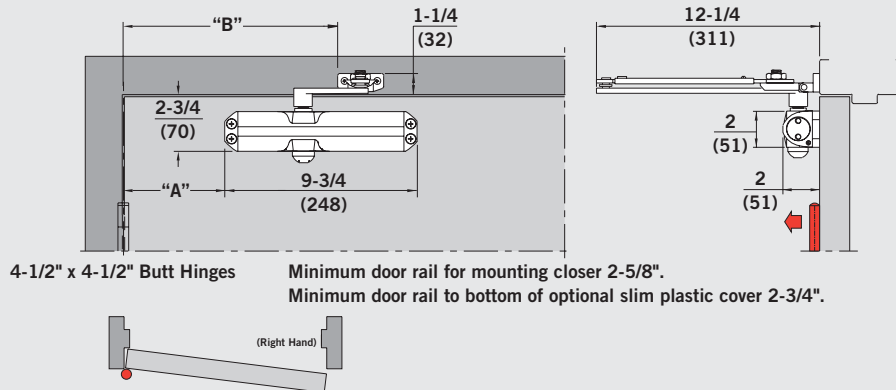


Size Selection Chart

CLOSER	INTERIOR/ EXTERIOR	DOOR WIDTH					APPROX. MAXIMUM OPENING	APPROX. BACKCHECK
		2'-0" min.	2'-6" max.	3'-0" max.	3'-6" max.	4'-0" max.		
7302-7305	INTERIOR	N/A	7302	7303	7304	7305	180°	65°-180°
	EXTERIOR	7302	7303	7304	7305	N/A		

Regular x Friction Hold Open

7302-7305 FH

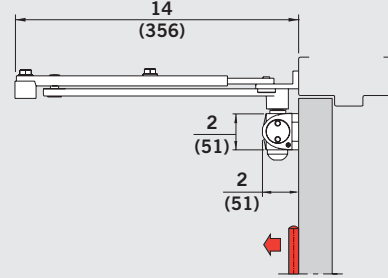
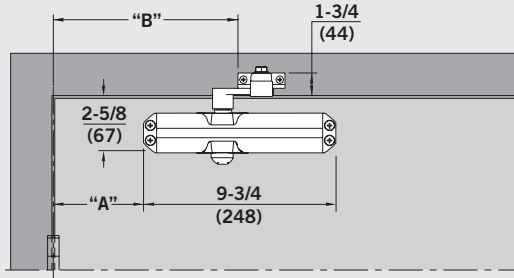


Size Selection Chart

CLOSER	INTERIOR/ EXTERIOR	DOOR WIDTH					TEMPLATE REFERENCE	DIM "A"	DIM "B"	APPROX. MAXIMUM OPENING	APPROX. BACKCHECK	MIN. HOLD OPEN	MAX. HOLD OPEN
		2'-0" min.	2'-6" max.	3'-0" max.	3'-6" max.	4'-0" max.							
7302-7305	INTERIOR	N/A	7302	7303	7304	7305	TO 100°	7-1/8" (181)	12-5/8" (321)	110°	65°-110°	80°	110°
	EXTERIOR	7302	7303	7304	7305	N/A	TO 120°	6-1/8" (155)	11-5/8" (295)	125°	70°-125°	90°	125°
							OVER 120°	3-5/8" (92)	9-1/8" (232)	180°	85°-180°	100°	170°

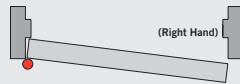
Regular x Integra Stop Arm

7302-7305 IS



4-1/2" x 4-1/2" Butt Hinges

Minimum door rail for mounting closer 2-1/2".
Minimum door rail to bottom of slim plastic cover 2-5/8".



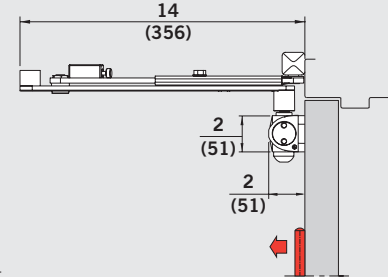
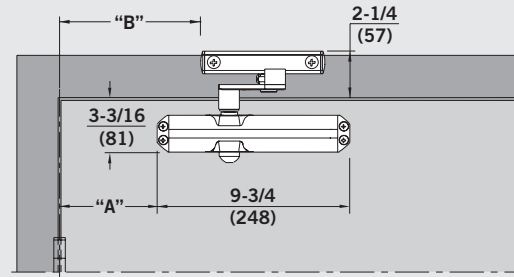
Size Selection Chart

CLOSER	INTERIOR/ EXTERIOR	DOOR WIDTH				
		2'-0" min.	2'-6" max.	3'-0" max.	3'-6" max.	4'-0" max.
7302-7305	INTERIOR	N/A	7302	7303	7304	7305
	EXTERIOR	7302	7303	7304	7305	N/A

TEMPLATE REFERENCE	DIM "A"	DIM "B"	DEAD STOP	APPROX. BACKCHECK
85°	9-3/8" (238)	15-1/2" (394)	85°	55°-85°
90°	8-1/2" (216)	14-3/4" (375)	90°	60°-90°
95°	7-1/2" (190)	14-1/8" (359)	95°	65°-95°
100°	7-3/8" (188)	13-3/4" (349)	100°	70°-100°
105°	7-1/8" (181)	13-1/4" (337)	105°	75°-105°
110°	6-7/8" (175)	13-1/8" (333)	110°	75°-110°

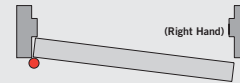
Regular x Spring Integra Stop Arm

7302-7305 S-IS/S-ISH



4-1/2" x 4-1/2" Butt Hinges

Minimum door rail for mounting closer 2-1/2".
Minimum door rail to bottom of slim plastic cover 2-5/8".



Size Selection Chart

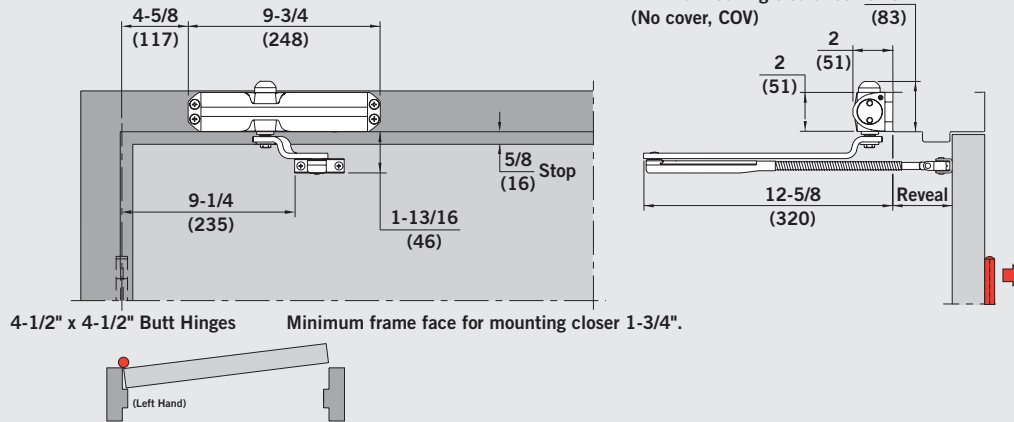
CLOSER	INTERIOR/ EXTERIOR	DOOR WIDTH				
		2'-0" min.	2'-6" max.	3'-0" max.	3'-6" max.	4'-0" max.
7302-7305	INTERIOR	N/A	7302	7303	7304	7305
	EXTERIOR	7302	7303	7304	7305	N/A

TEMPLATE REFERENCE	DIM "A"	DIM "B"	DEAD STOP/ HOLD OPEN*	APPROX. BACKCHECK
85°	9" (229)	11-9/16" (294)	85°	55°-85°
90°	8-1/2" (215)	11-1/16" (281)	90°	60°-90°
100°	7-1/2" (191)	10-1/16" (256)	100°	70°-100°
110°	6-3/4" (172)	9-5/16" (237)	110°	75°-110°

* Hold Open is approximately 5°-7° less than the dead stop angle listed in the chart.

Top Jamb x Round Form Arm

7302-7305 ARJ (4" to 8" reveal)



Size Selection Chart

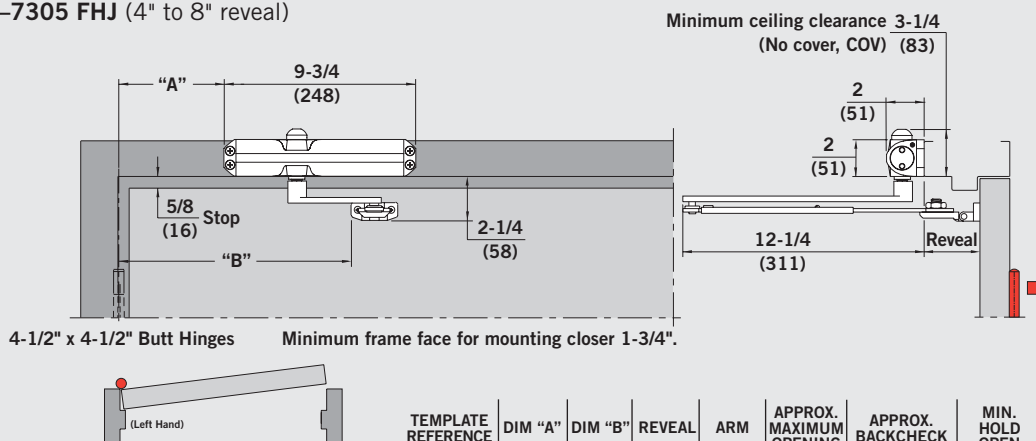
CLOSER	INTERIOR/ EXTERIOR	DOOR WIDTH				
		2'-0" min.	2'-6" max.	3'-0" max.	3'-6" max.	4'-0" max.
7302-7305	INTERIOR	N/A	7302	7303	7304	7305
	EXTERIOR	7302	7303	7304	7305	N/A

TEMPLATE REFERENCE	REVEAL	ARM	APPROX. MAXIMUM OPENING	APPROX. BACKCHECK
TO 180°	0°	AR	180°	70°-180°
	4°	AR	180°	75°-180°
	4°	ARJ	180°	75°-180°
	8°	ARJ	165°	80°-165°

Note: Bold type shows supplied arm

Top Jamb x Friction Hold Open

7302-7305 FHJ (4" to 8" reveal)



Size Selection Chart

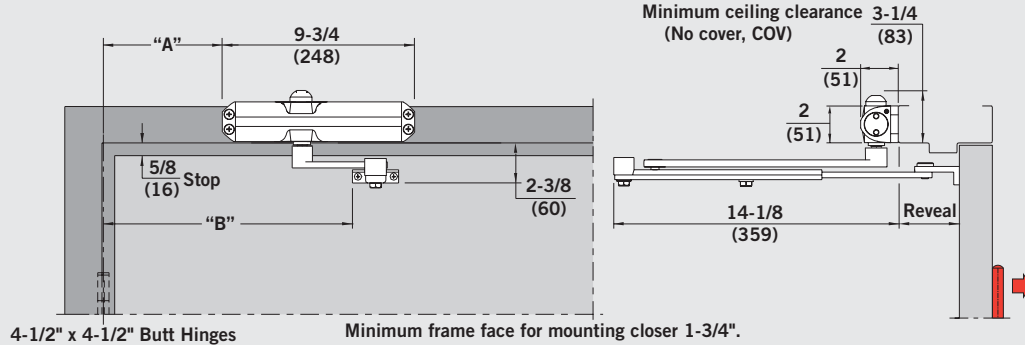
CLOSER	INTERIOR/ EXTERIOR	DOOR WIDTH				
		2'-0" min.	2'-6" max.	3'-0" max.	3'-6" max.	4'-0" max.
7302-7305	INTERIOR	N/A	7302	7303	7304	7305
	EXTERIOR	7302	7303	7304	7305	N/A

TEMPLATE REFERENCE	DIM "A"	DIM "B"	REVEAL	ARM	APPROX. MAXIMUM OPENING	APPROX. BACKCHECK	MIN. HOLD OPEN	MAX. HOLD OPEN
TO 100°	7-5/8" (194)	13-1/8" (333)	0°	FH	110°	70°-110°	70°	105°
			4°	FH	105°	75°-105°	70°	100°
			4°	FHJ	105°	75°-105°	70°	100°
			8°	FHJ	100°	80°-100°	70°	95°
TO 120°	6-1/8" (155)	11-5/8" (295)	0°	FH	125°	75°-125°	75°	120°
			4°	FH	120°	80°-120°	75°	115°
			4°	FHJ	120°	80°-120°	75°	115°
			8°	FHJ	115°	85°-115°	75°	110°
OVER 120°	3-5/8" (92)	9-1/8" (232)	0°	FH	180°	85°-180°	80°	170°
			4°	FH	180°	90°-180°	80°	170°
			4°	FHJ	180°	90°-180°	80°	170°
			8°	FHJ	165°	100°-165°	80°	155°

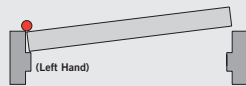
Note: Bold type shows supplied arm

Top Jamb x Integra Stop Arm

7302-7305 ISJ (4" to 6" reveal)



4-1/2" x 4-1/2" Butt Hinges Minimum frame face for mounting closer 1-3/4".



Size Selection Chart

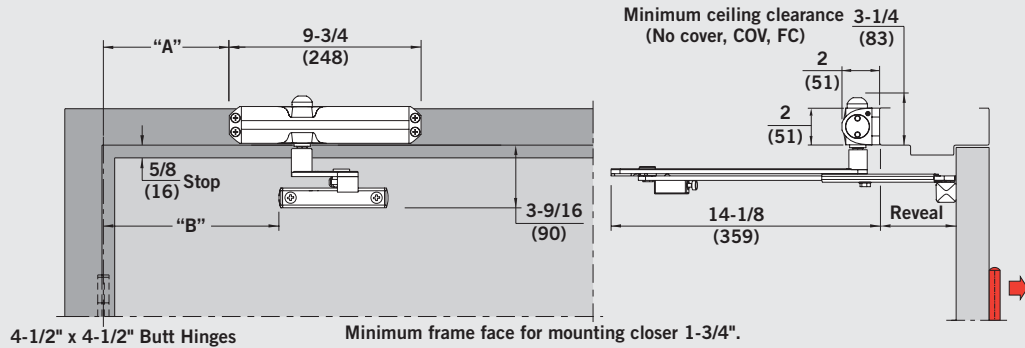
CLOSER	INTERIOR/ EXTERIOR	DOOR WIDTH				
		2'-0" min.	2'-6" max.	3'-0" max.	3'-6" max.	4'-0" max.
7302-7305	INTERIOR	N/A	7302	7303	7304	7305
	EXTERIOR	7302	7303	7304	7305	N/A

TEMPLATE REFERENCE	DIM "A"	DIM "B"	REVEAL	ARM	DEAD STOP	APPROX. BACKCHECK
85°	8" (203)	14-3/8" (365)	0"-4"	IS	85°	55°-85°
			4"-6"	ISJ	85°	55°-85°
90°	7-3/8" (187)	13-3/4" (349)	0"-4"	IS	90°	60°-90°
			4"-6"	ISJ	90°	60°-90°
95°	6-7/8" (175)	13-1/4" (337)	0"-4"	IS	95°	65°-95°
			4"-6"	ISJ	95°	65°-95°
100°	6-3/8" (152)	12-3/4" (324)	0"-4"	IS	100°	70°-100°
			4"-6"	ISJ	100°	70°-100°
105°	6-1/8" (156)	12-1/2" (318)	0"-4"	IS	105°	70°-105°
			4"-6"	ISJ	105°	70°-105°
110°	5-7/8" (149)	12-1/4" (311)	0"-4"	IS	110°	75°-110°
			4"-6"	ISJ	110°	75°-110°

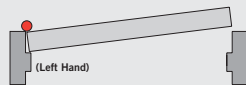
Note: Bold type shows supplied arm.

Top Jamb x Spring Integra Stop Arm

7302-7305 S-ISJ/S-ISJH (3-1/2" to 6-1/2" reveal)



4-1/2" x 4-1/2" Butt Hinges Minimum frame face for mounting closer 1-3/4".



Size Selection Chart

CLOSER	INTERIOR/ EXTERIOR	DOOR WIDTH				
		2'-0" min.	2'-6" max.	3'-0" max.	3'-6" max.	4'-0" max.
7302-7305	INTERIOR	N/A	7302	7303	7304	7305
	EXTERIOR	7302	7303	7304	7305	N/A

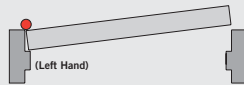
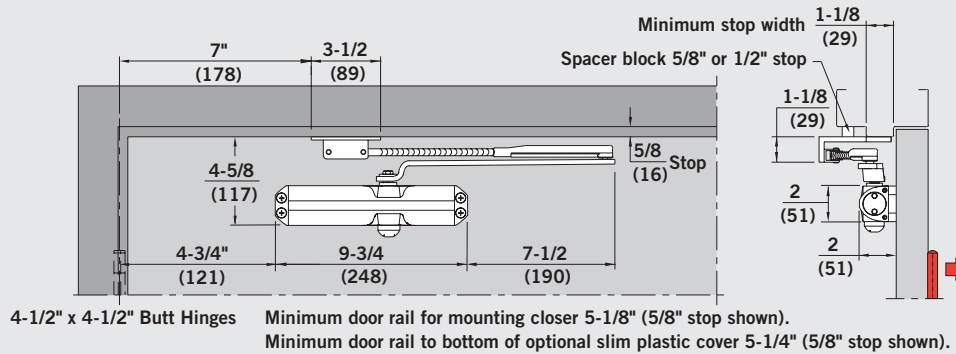
TEMPLATE REFERENCE	DIM "A"	DIM "B"	REVEAL	ARM	DEAD STOP/ HOLD OPEN	APPROX. BACKCHECK
85°	8-1/2" (216)	11-1/16" (281)	0"-3-1/2"	S-IS	85°	55°-85°
			3-1/2"-6-1/2"	S-ISJ	85°	55°-85°
90°	7-7/8" (200)	10-7/16" (266)	0"-3-1/2"	S-IS	90°	60°-90°
			3-1/2"-6-1/2"	S-ISJ	90°	60°-90°
100°	7" (178)	9-9/16" (243)	0"-3-1/2"	S-IS	100°	70°-100°
			3-1/2"-6-1/2"	S-ISJ	100°	70°-100°
110°	6-3/8" (162)	8-15/16" (227)	0"-3-1/2"	S-IS	110°	75°-110°
			3-1/2"-6-1/2"	S-ISJ	110°	75°-110°

* Hold Open is approximately 5°-7° less than the dead stop angle listed in the chart.

Note: Bold type shows supplied arm.

Parallel Arm x Round Form Arm

7303-7305 ARP

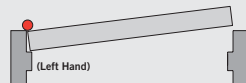
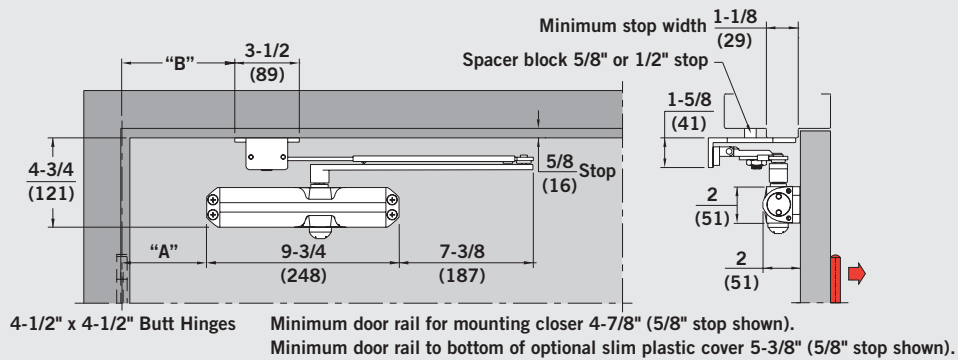


Size Selection Chart

CLOSER	INTERIOR/ EXTERIOR	DOOR WIDTH			TEMPLATE REFERENCE	APPROX. MAXIMUM OPENING	APPROX. BACKCHECK	MINIMUM DOOR WIDTH
		2'-6" max.	3'-0" max.	3'-6" max.				
7303-7305	INTERIOR	7303	7304	7305	TO 180°	180°	75°-180°	24"
	EXTERIOR	7304	7305	N/A				

Parallel Arm x Friction Hold Open

7303-7305 FHP

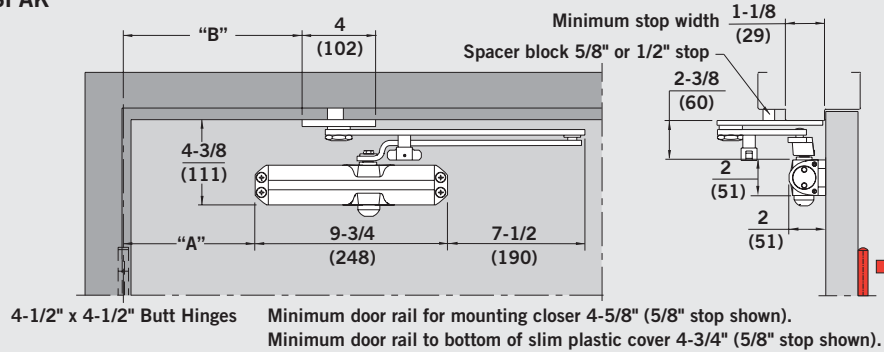


Size Selection Chart

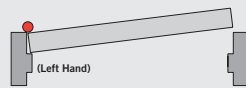
CLOSER	INTERIOR/ EXTERIOR	DOOR WIDTH			TEMPLATE REFERENCE	DIM "A"	DIM "B"	APPROX. MAXIMUM OPENING	APPROX. BACKCHECK	MINIMUM HOLD OPEN	MAXIMUM HOLD OPEN	MINIMUM DOOR WIDTH
		2'-6" max.	3'-0" max.	3'-6" max.								
7303-7305	INTERIOR	7303	7304	7305	TO 100°	6-3/4" (171)	9" (228)	110°	80°-110°	45°	105°	29"
	EXTERIOR	7304	7305	N/A								
					OVER 100°	4-1/4" (108)	6-1/2" (165)	180°	95°-180°	45°	175°	24"

Heavy-Duty Super Parallel Arm

7305 SPA/SPAT/SPAK



4-1/2" x 4-1/2" Butt Hinges Minimum door rail for mounting closer 4-5/8" (5/8" stop shown).
Minimum door rail to bottom of slim plastic cover 4-3/4" (5/8" stop shown).

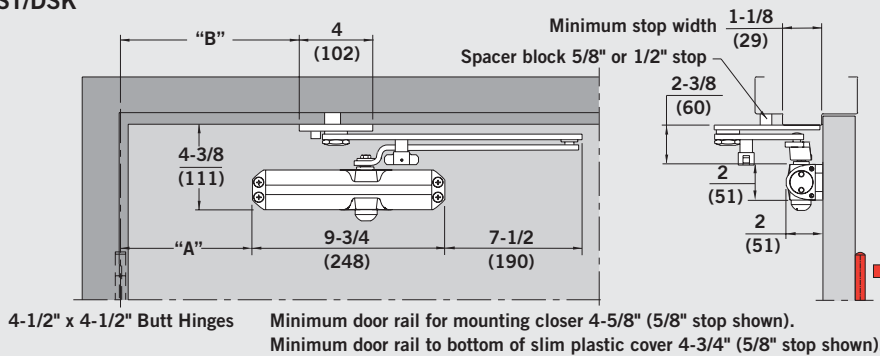


Size Selection Chart

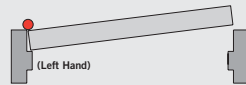
CLOSER	INTERIOR/ EXTERIOR	DOOR WIDTH		ANGLE OF OPENING/ HOLD OPEN	DIM "A" CLOSER	DIM "B" SOFFIT PLATE	APPROX. MAXIMUM OPENING	APPROX. BACKCHECK	MINIMUM DOOR WIDTH
		3'-0" max.	3'-6" max.						
7305	INTERIOR	N/A	7305	TO 100° H.O. 90°	6-13/16" (173)	9-1/8" (232)	100°	60°-100°	26"
	EXTERIOR	7305	N/A	TO 180° H.O. 123°	3-3/16" (81)	5-1/2" (140)	180°	80°-180°	23"

Heavy-Duty Parallel Arm Door Saver x Dead Stop

7305 DS/DST/DSK



4-1/2" x 4-1/2" Butt Hinges Minimum door rail for mounting closer 4-5/8" (5/8" stop shown).
Minimum door rail to bottom of slim plastic cover 4-3/4" (5/8" stop shown).



Size Selection Chart

CLOSER	INTERIOR/ EXTERIOR	DOOR WIDTH		TEMPLATE REFERENCE	DIM "A" CLOSER	DIM "B" SOFFIT PLATE	* DEAD STOP/ HOLD OPEN	APPROX. BACKCHECK	MINIMUM DOOR WIDTH
		3'-0" max.	3'-6" max.						
7305	INTERIOR	N/A	7305	85°	7-3/16" (183)	10" (254)	85°	50°-85°	26"
				90°	6-5/16" (160)	9-1/4" (235)	90°	55°-90°	25"
	EXTERIOR	7305	N/A	100°	5-3/16" (132)	8" (203)	100°	60°-100°	24"
				110°	3-15/16" (100)	6-7/8" (175)	110°	65°-110°	23"

* Hold Open is approximately 1° - 2° less than the dead stop angle listed in the chart.

Heavy-Duty Parallel Arm x Spring Door Saver

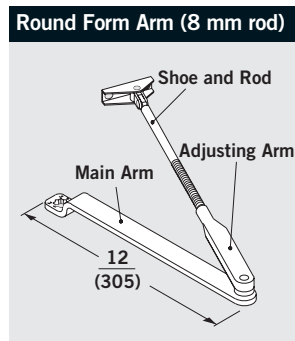
7302-7305 S-DS/S-DST

4-1/2" x 4-1/2" Butt Hinges Minimum door rail for mounting closer 4-5/8" (5/8" stop shown).
Minimum door rail to bottom of slim plastic cover 4-3/4" (5/8" stop shown).

Size Selection Chart

CLOSER	INTERIOR/ EXTERIOR	DOOR WIDTH		TEMPLATE REFERENCE	DIM "A" CLOSER	DIM "B" SOFFIT PLATE	* DEAD STOP/ HOLD OPEN	APPROX. BACKCHECK	MINIMUM DOOR WIDTH
		3'-0" max.	3'-6" max.	85°	7-3/16" (183)	10" (254)	85°	50°-85°	26"
		N/A	7305	90°	6-5/16" (160)	9-1/4" (235)	90°	55°-90°	25"
7305	INTERIOR	N/A	7305	100°	5-3/16" (132)	8" (203)	100°	60°-100°	24"
	EXTERIOR	7305	N/A	110°	3-15/16" (100)	6-7/8" (175)	110°	65°-110°	23"

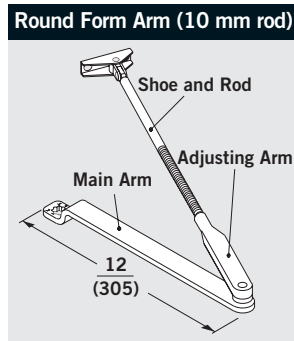
* Hold Open is approximately 5°-7° less than the dead stop angle listed in the chart.



AR — Complete Arm Assembly (0"-4" [0 mm-102 mm] reveal) with 8 mm rod. Arm is non-handed.

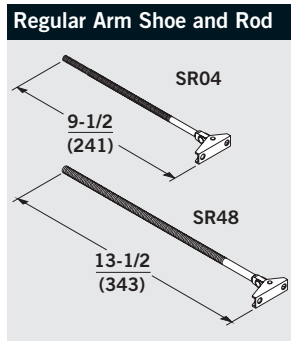
ARP — Parallel round form arm complete (Tri-Pack) (0"-4" [0 mm-102 mm] reveal). P86 included.

AMR04 — Regular non-hold open main arm and adjusting arm. Accepts 8 mm rod.



ARJ — Complete Arm Assembly (4"-8" [102 mm-203 mm] reveal) with 10 mm rod. Designed specifically for top jamb applications with deeper reveals. Arm is non-handed.

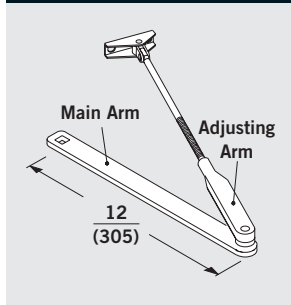
AMR48 — Regular non-hold open main arm and adjusting arm. Accepts 10 mm rod.



SR04 (8 mm Rod Diameter) — 0"-4" (0 mm-102 mm) reveal. Shoe and rod only.

SR48 (10 mm Rod Diameter) — 4"-8" (102 mm-203 mm) reveal. Shoe and rod only.

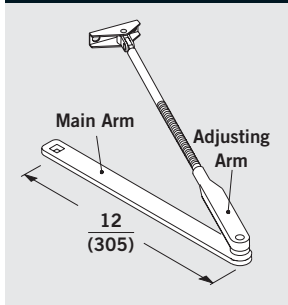
SR04 has an 8 mm rod and must be used in conjunction with main arm and adjusting arm AMR04. The SR48 has a 10 mm rod and must be used with main arm and adjusting arm AMR48. Non-handed.

Narrow Profile Arm (8 mm)

ARNP — Complete arm assembly. Regular or top jamb mount. Permits installation on 1" (25 mm) frame face for regular mount with maximum pull-side reveal of 1/8" (3 mm). Can also be used top jamb (0"-4" [0 mm-102 mm] reveal) for narrow top door rails. Arm is non-handed.

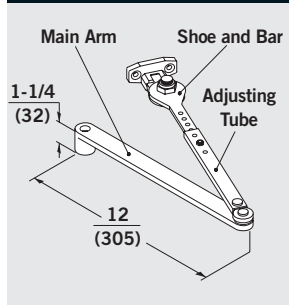
ARNPP — Complete arm assembly for parallel arm mount (Tri-Pack). (0"-4" [0 mm-102 mm] reveal). P86 included.

AMR04NP — Narrow profile main arm and adjusting arm. Used in conjunction with SR04 shoe and rod. Uses 8 mm rod.

Narrow Profile Arm (10 mm)

ARNPJ — Complete arm assembly for top jamb installations (4"-8" [102 mm-203 mm] reveal) for narrow top door rails. Arm is non-handed.

AMR48NP — Narrow profile main arm and adjusting arm. Used in conjunction with SR48 shoe and rod. Uses 10 mm rod.

Friction Hold Open Arm

FH — Friction hold open arm complete (0"-4" [0 mm-102 mm] reveal).

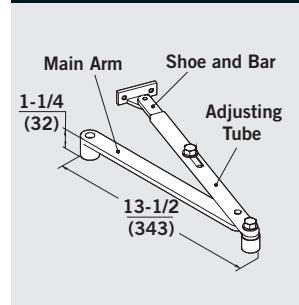
FHJ — Top jamb friction hold open arm complete (4"-8" [102 mm-203 mm] reveal).

FHP — Friction hold open arm complete (Tri-Pack) (0"-4" [0 mm-102 mm] reveal). PHB included.

FHM04 — Friction hold open main arm and adjusting tube (0"-4" [0 mm-102 mm] reveal).

FHM48 — Friction hold open main arm and adjusting tube (4"-8" [102 mm-203 mm] reveal).

FHSB — Friction hold open shoe and bar.

Integra Stop Arm

Provides a cushioned opening function for regular and top jamb applications at 85°, 90°, 95°, 100°, 105°, and 110°. Arm is non-handed.

IS — Integra stop arm complete (0"-4" [0 mm-102 mm] reveal).

ISJ — Top jamb integra stop arm complete (4"-6" [102 mm-152 mm] reveal).

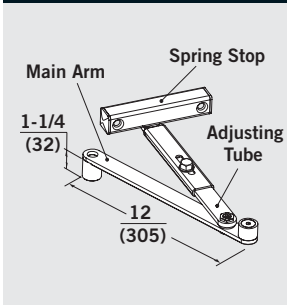
ISM — Integra stop main arm and adjusting tube.

ISSB04 — Integra stop shoe and bar (0"-4" [0 mm-102 mm]).

ISSB46 — Integra stop shoe and bar (4"-6" [102 mm-152 mm]).

BUMPERIS — Integra stop bumper only.

Spring Integra Stop Arm



Provides a spring assisted dead stop function for regular and top jamb applications at 85°, 90°, 100°, and 110°. Arm is non-handed.

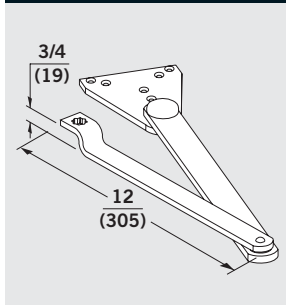
S-IS — Spring assist integra stop arm complete (0"–3-1/2" [0 mm–89 mm] reveal).

S-ISH — Spring assist integra stop hold open complete (0"–3-1/2" [0 mm–89 mm] reveal).

S-ISJ — Spring assist top jamb integra stop arm complete (3-1/2"–6-1/2" [89 mm–165 mm] reveal).

S-ISJH — Spring assist top jamb integra stop hold open arm complete (3-1/2"–6-1/2" [89 mm–165 mm] reveal).

Super Parallel Arm



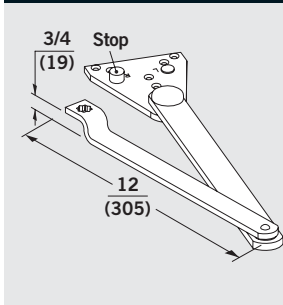
Heavy-duty parallel arm. Available in non-hold open, thumb turn hold open, and hex key turn hold open. Units can be installed for maximum opening of 100° or 180°. Hold open units will hold open at 90° or 125°. Maximum opening is 180° (conditions permitting). Arm is non-handed. Non-hold open arm illustrated.

SPA — Super parallel arm non-hold open.

SPAT — Super parallel arm thumb turn hold open.

SPAK — Super parallel arm hex key turn hold open.

Door Saver Arm



Heavy-duty parallel arm with integral cushioned opening function. Available in non-hold open, thumb turn hold open, and hex key turn hold open. Units can be installed to achieve either stop or stop and hold open at 85°, 90°, 100°, and 110°. Maximum opening is 110° (conditions permitting). Arm is non-handed. Non-hold open arm illustrated.

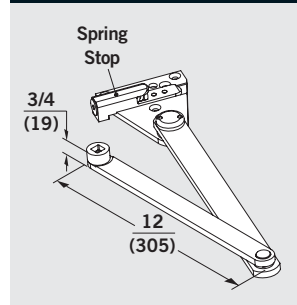
DS — Door saver arm non-hold open.

DST — Door saver arm thumb turn hold open.

DSK — Door saver arm hex key turn hold open.

BUMPERDS — Door saver bumper only.

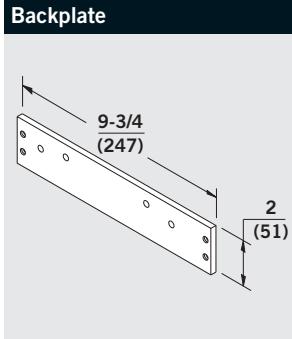
Spring Door Saver Arm



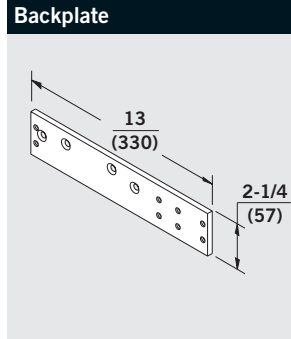
Heavy-duty parallel arm with spring assisted dead stop function. Available in non-hold open and thumb turn hold open. Units can be installed to achieve either stop at 85°, 90°, 100°, and 110° or stop and hold open function. Maximum opening is 110° (conditions permitting). Arm is non-handed. Non-hold open arm illustrated.

S-DS — Spring assist door saver arm.

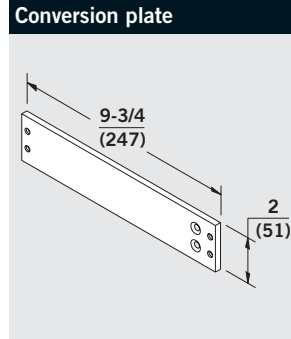
S-DST — Spring assist door saver arm thumb turn hold open.



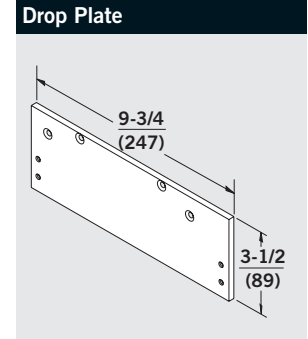
BP73 — For top jamb mount when overhead ceiling clearance is less than 2-1/4" (57 mm). Can also be used for regular mount to clear a mortised overhead stop/holder.



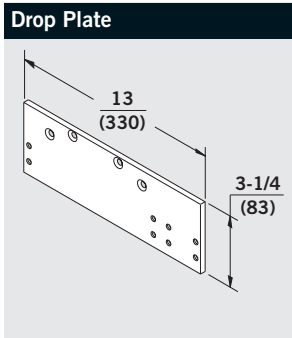
BP86 — For top jamb mount with slim plastic cover when overhead ceiling clearance is less than 2-1/4" (57 mm). Can also be used for regular mount to clear a mortised overhead stop/holder.



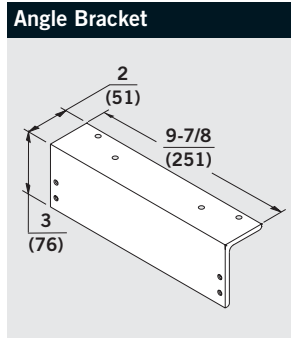
BP600C — For regular, top jamb, or parallel arm mounts. Permits replacement of existing 600/610 Series closers with 7300 Series closers. Eliminates the need to remachine the door and frame.



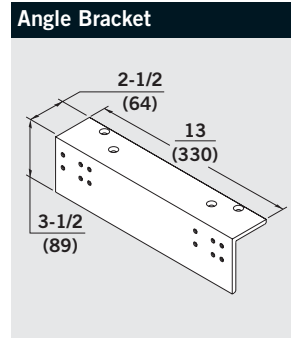
DP73 — For top jamb mount to clear a surface applied stop/holder. Overhead ceiling clearance must be 1-3/4" (44 mm) or more. Permits parallel arm installation with minimum top door rail of 2-1/2" (64 mm) for non-hold open, 2-3/4" (70 mm) for friction hold open applications (assuming 5/8" [16 mm] stop dimension).



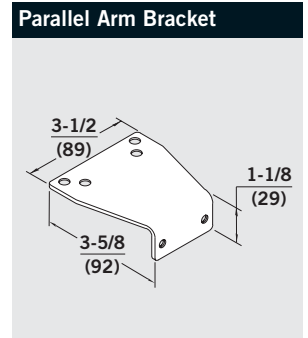
DP86 — For top jamb mount with slim plastic cover to clear a surface applied stop/holder. Overhead ceiling clearance must be 1-3/4" (44 mm) or more. Permits parallel arm installation with minimum top door rail of 2-1/2" (64 mm) for non-hold open, 2-3/4" (70 mm) for friction hold open applications (assuming 5/8" [16 mm] stop dimension).



AB73 — For installation of closers where parallel arm and top jamb applications are not practical due to low overhead ceiling clearance, narrow frame face or unusual trim conditions. This bracket can also be used to provide clearance for a surface-applied stop/holder.

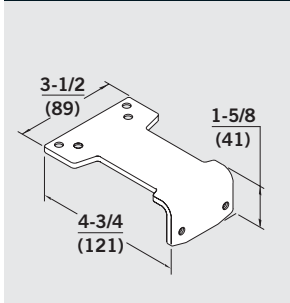


AB86 — For installation of 7300 Series closers using a slim plastic cover. Used where parallel arm and top jamb applications are not practical due to low overhead ceiling clearance, narrow frame face or unusual trim conditions. This bracket can also be used to provide clearance for a surface-applied stop/holder.



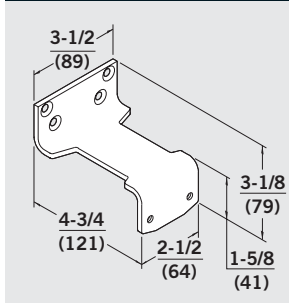
P86 — Furnished optionally with 7300 Series non-hold open parallel arm applications.

Parallel Hold Open Bracket



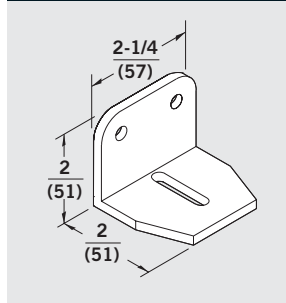
PHB — Furnished with 7300 Series closer friction hold open parallel arm applications.

Parallel Flush Transom Bracket



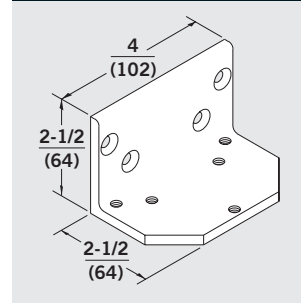
PFT — For all 7300 Series closer hold open and non-hold open parallel arm applications where flush transom conditions prohibit use of P86 or PHB bracket.

Narrow Frame Bracket



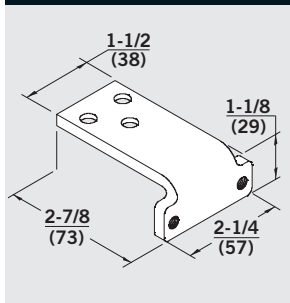
NFHD — For use with all DS and SPA applications where total frame depth is less than 4-1/2" (114 mm), prohibiting use of standard spacer block. NFHD bracket is used in lieu of block supplied with arm.

Flush Transom Bracket



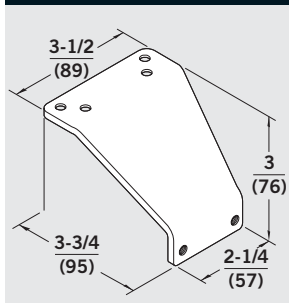
FTHD — For use with all DS and SPA applications where flush transom conditions prohibit normal installation of soffit bracket.

Mortised Jamb Bracket



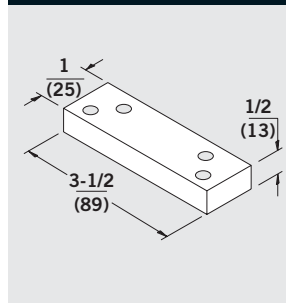
MJ — For 7300 Series closers with regular mount non-hold open assemblies, where frame conditions will not permit use of the standard foot, e.g. molded or ornate trim. Permits use of parallel arm application between twin communicating doors where limited space prohibits use of the wider P86 bracket.

Parallel Drop Bracket



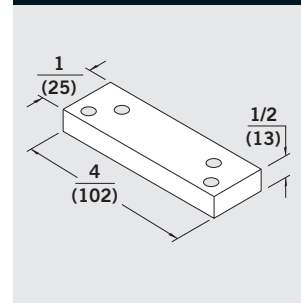
PD — For 7300 Series closer non-hold open parallel arm applications to clear a surface-applied stop/holder.

Blade Stop Spacer



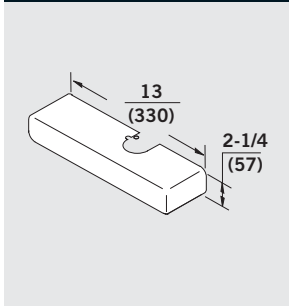
BS — For use with all 7300 Series P86, PD, and PHB applications installed on cased frames with applied blade stops. This block is used to provide adequate clearance for the blade stop.

Heavy-Duty Blade Stop Spacer



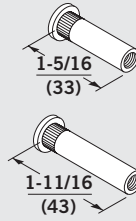
BSHD — For use with all 7300 Series DS and SPA applications installed on cased frames with applied blade stops. This block is used in conjunction with the spacer furnished with the arm to provide adequate clearance for the blade stop.

Slim Plastic Cover



COV — Optional slim plastic cover.

Sex Nuts



SNB1 — Sex nuts with machine screws for 1-3/4" (44 mm) door.

SNB2 — Sex nuts with machine screws for 1-3/8" (35 mm) door.

Required for use on unreinforced doors and wood or composite labeled fire doors for securely attaching hardware to the door.

**DORMA Group
North America**
www.dorma-usa.com

DORMA Architectural Hardware
DORMA Drive, Drawer AC
Reamstown, PA 17567-0411
Telephone: (800) 523-8483
Facsimile: (800) 274-9724
E-mail: archdw@dorma-usa.com

DORMA Canada
1680 Courtney Park Drive, Unit 13
Mississauga, Ontario L5T 1R4
Telephone: (800) 387-4938
Facsimile: (905) 670-5850
E-mail: sales@dormacanada.com

DORMA Mexico, S. de R.L. de C.V.
Astrónomos 28
Col. Escandón
11800, México, D.F.
Mexico
Telephone: (52+55) 5272-6937
Facsimile: (52+55) 5272-6948
E-mail: dormaoper@prodigy.net.mx